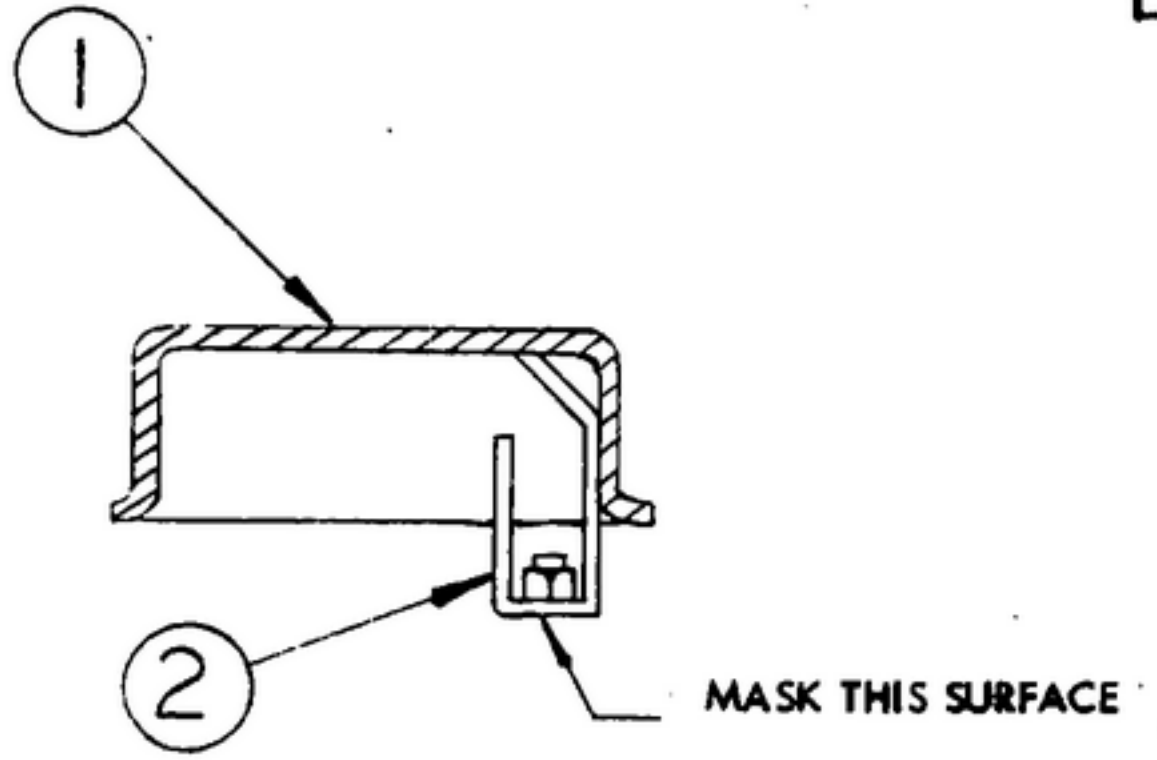
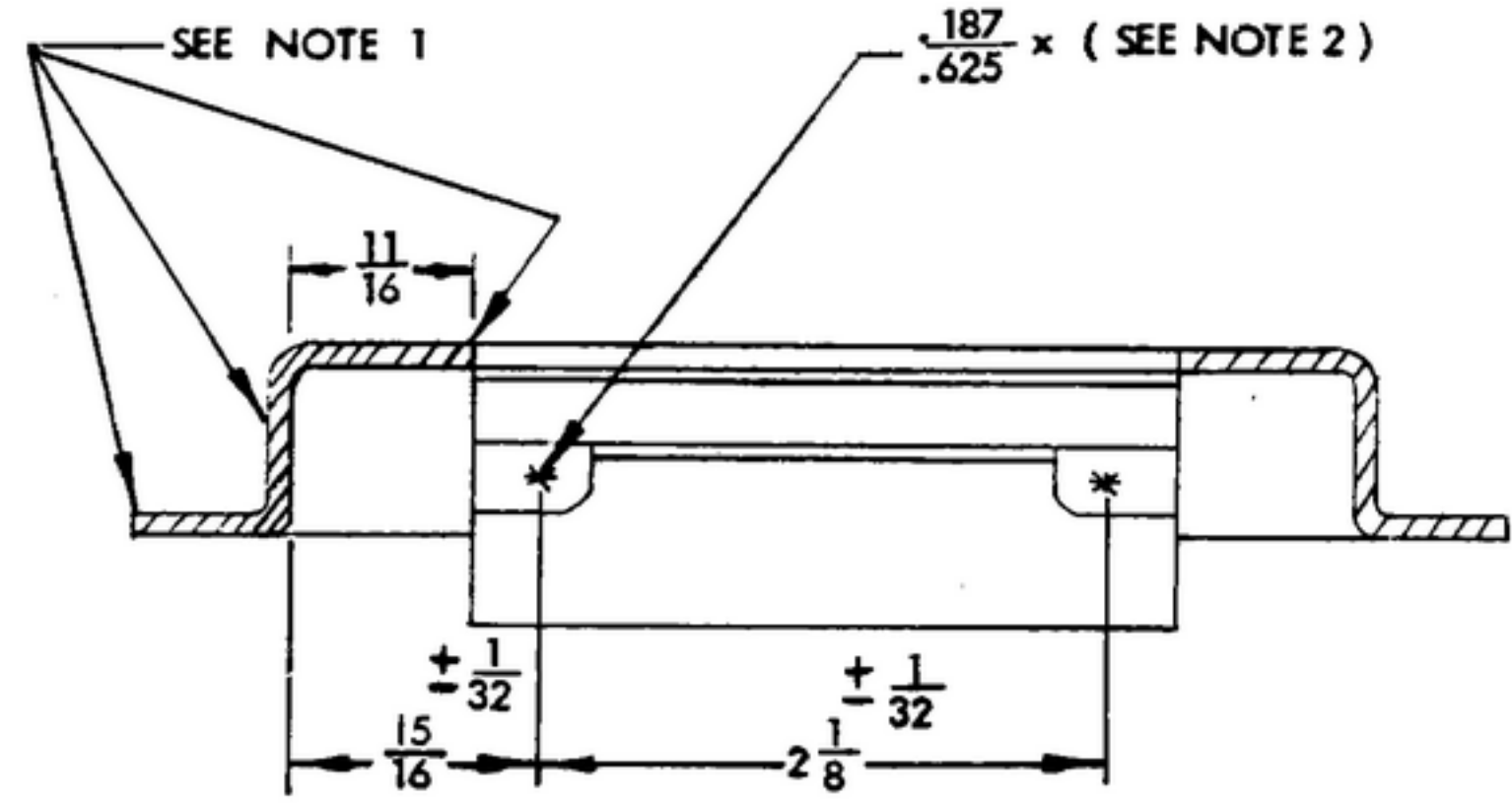


DATA IS NOT TO BE REGARDED BY IMPLICATION OR OTHERWISE AS IN ANY MANNER LICENSING THE HOLDER OR ANY OTHER PERSON OR CORPORATION, OR CONVEYING ANY RIGHTS OR PERMISSION TO MANUFACTURE, USE, OR SELL ANY PATENTED INVENTION THAT MAY IN ANY WAY BE RELATED THERETO.

—	RETRACED, NO CHANGE	15 JUNE 62	59 21582-PC-61
A	(1) ADDED NOTE 3	20 MAR 63	21582-PC-61 REV D PME



NOTES:

1. FINISH P514D PER MIL-F-14072 INSIDE AREAS TO HAVE PRIMER FINISH ONLY.
2. ALL WELDS SHALL BE PER SPEC MIL-W-6858
3. MASKING APPLIED AFTER CHEMICAL FILM

(A)

ITEM	REQD	PART NO.	DESCRIPTION	MATL	MATL SPEC
2	1	SM-B-343605	BRACKET ASSY		
1	1	SM-C-179046	HOUSING		

LIST OF MATERIAL

UNLESS OTHERWISE SPECIFIED	
DIMENSIONS ARE IN INCHES	
TOLERANCES ON	
FRACTIONS	DECIMALS ANGLES
±1/64	±.005
SM-C-343606	SC-DL-248775
NEXT ASSY	USED ON
APPLICATION	

STEWART-WARNER ELECTRONICS  
42428-PC-59  
SIGNAL CORPS

REVIEWED *PME*  
APPROVED *PME*  
DATE 27 OCT 59

SCALE 1/1

HOUSING ASSY

DEPARTMENT OF THE ARMY  
U. S. ARMY SIGNAL MATERIEL SUPPORT AGENCY  
FORT MONMOUTH NEW JERSEY  
**SM-B-343604**  
CODE 80063